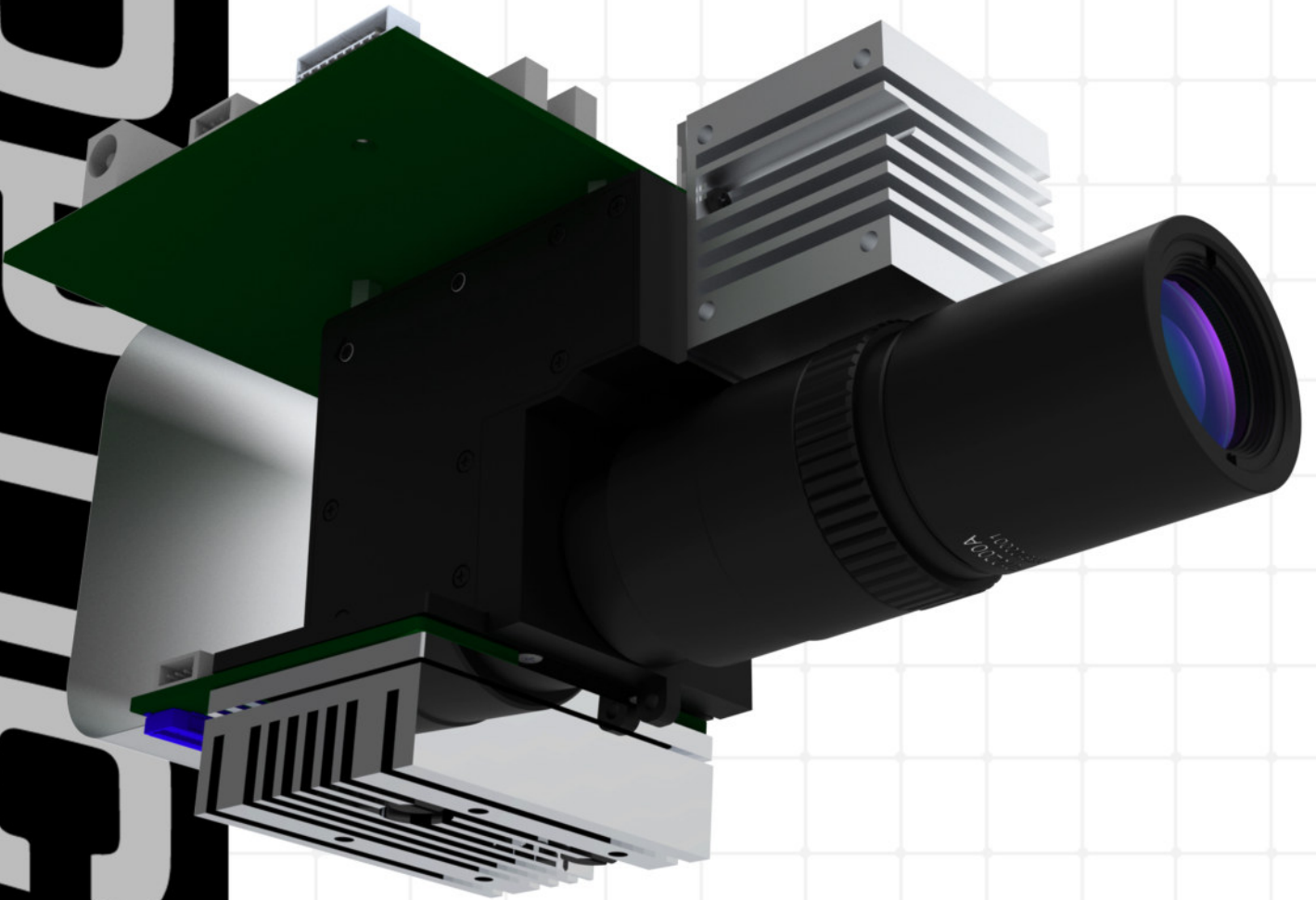


**DZOPTICS**

# **DIGITAL LIGHT PROCESSING(DLP) INTRODUCTION**



**We Capture Light!**

SHENZHEN DONGZHENG OPTICAL TECHNOLOGY CO.,LTD

**DZOPTICS**

## 0.3 720P DLP

Main application fields: 3D AOI/SPI, high precision scanning  
Chipset family: DLP3010LC+DLPC3478  
Resolution: 1280 × 720  
Micromirror pitch: 5.4μm  
Micromirror tilt (relative to flat surfaces) : ±17°  
Tilt angle: 30°  
High speed pattern rates up to 1440Hz (1-bit) and 437Hz (8-bit)  
Supports programmable exposure times  
Max. light flux: 300ml  
Support HDMI, USB, Trigger In, Trigger Out and other interfaces.

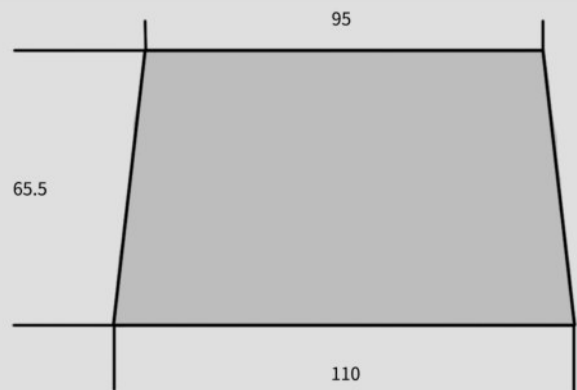
## 0.47 1080P DLP

Main application fields: 3D AOI/SPI, high precision scanning  
Chipset family: DLP4710LC+DLPC3479  
Resolution: 1920 × 1080  
Micromirror pitch: 5.4μm  
Micromirror tilt (relative to flat surfaces) : ±17°  
Tilt angle: 30°  
High speed pattern rates up to 1440Hz (1-bit) and 437Hz (8-bit)  
Supports programmable exposure times  
Max. light flux: 1500ml  
Support HDMI, USB, Trigger In, Trigger Out and other interfaces.

## PROJECTION LENS PARAMETERS

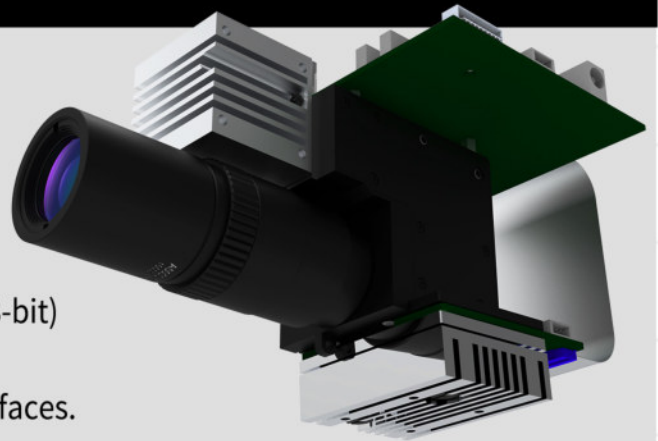
ITEM	SPEC
WD	200mm
Mag.	0.1
DMD type	DLP4710LC
DMD resolution	1920*1080
Projection angle	30°
LED	White light
Projection frame size	See picture on the right

## PROJECTION FRAME SIZE



## OPTICAL ENGINE INTRODUCTION

Chipset family: DLP4710LC+DLPC3479  
Resolution: 1920 × 1080  
Micromirror pitch: 5.4μm  
Micromirror tilt (relative to flat surfaces) : ±17°  
Tilt angle: 30°  
High speed pattern rates up to 1440Hz (1-bit) and 437Hz (8-bit)  
Supports programmable exposure times  
Support HDMI, USB, Trigger In, Trigger Out and other interfaces.



## OPTICAL ENGINE SIZE

